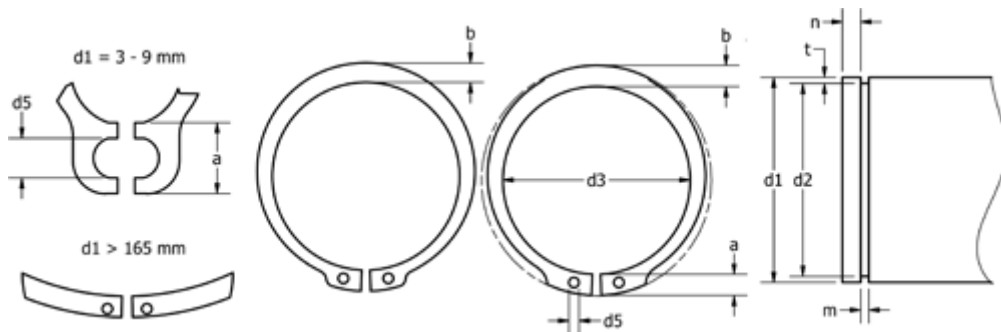


Article number: 01010491  
 Description: Retaining ring A 32 DIN 471  
 Stainless 411  
 Note: Fitted with ZGA pilers

## Measures



a max	= 5.2	FN kN	= 13.8	s	= 1.50
AN mm <sup>2</sup>	= 83.0	FRg kN	= 5.55	t	= 0.85
b	= 3.6	FR kN	= 31.20	tol	= -0.25
d1	= 32	g	= 2.0	tol	= -0.06
d2	= 30.3	K kN-mm	= 61.80	tol	= +0,21-0,42
d3	= 29.6	m min	= 1.60	Tong	= ZGA-2
d5 min	= 2.5	n abl x 1000	= 17.0	Weight kg/1000	= 3.540
Description	= A32	Nominal drive	= 2.6		